

COMBIDEC 2000

LAMINATED DUCTING

COMBIDEC 2000 ducts are solid, very flexible, extremely strong laminate ducts for different ranges of application. The base of the COMBIDEC series is an aluminum laminate duct with an outer jacket of copolymer. The ducts can be attached easily to round and oval connection parts without any problems. The fire resistance of the COMBIDEC ducts has been tested in several countries, according to current international standards. Because of the "sandwich construction", the different layers of polyester, aluminium and copolymer are overlapping each other completely. In case of fire, the system is able to function longer. The outer jacket is wear resistant and steam tight.

The advantages of a **COMBIDEC** duct towards PVC ducting:

- Higher temperature resistance
- Less smoke development in the case of fire

The advantages of a **COMBIDEC** duct towards aluminium laminated ducting:

- Higher tear resistance.
- Better mechanical protection against external influences.
- Better resistance under local pressure.
- Higher resistance against puncture.

APPLICATION

- Steam return lines
- Appl. where good mechanical strength is required
- to use in devices for mechanical aeration

SPECIFICATIONS

| | |
|--------------------------|------------------|
| Article code: | DC20G/B/W{Ø} |
| Temperature range: | -30 °C to 140 °C |
| Operating pressure: | up to +3000 Pa |
| Operating air velocity: | max. 30 m/s |
| Bending radius: | min. 0.54 x Ø |
| Standard diameter range: | 102 – 508 mm |
| Standard length: | 10 mtr |

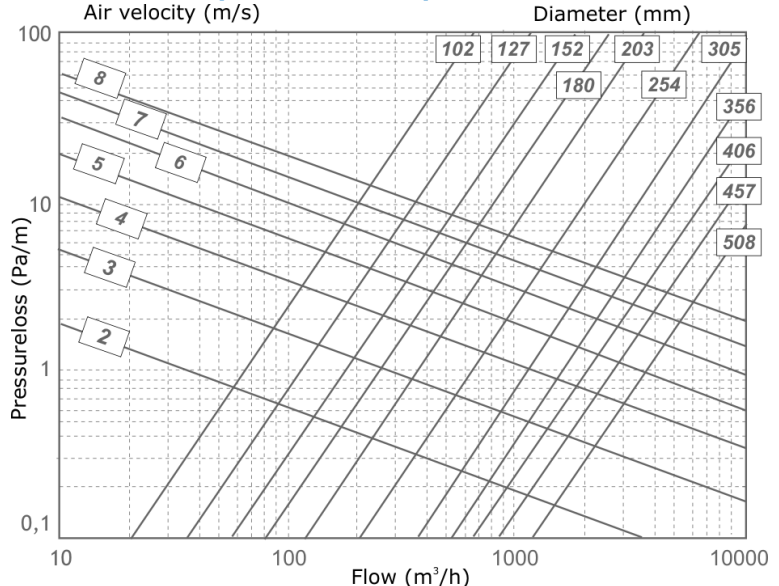
CONSTRUCTION

| | |
|------------------|---------------------------------|
| Total layers: | 5 |
| of aluminium: | 3 à 7 microns |
| of polyester: | 2 à 12 microns |
| of embossing | 1 à 90 microns |
| Total thickness: | 135 microns (excl. adhesive) |
| Wire spacing: | 36mm |
| Appearance: | Grey/Black/White |

CLASSIFICATIONS

| | |
|--------------------|------------------|
| UK (BS476): | Part 6, 7 and 20 |
| NL (NEN6065/6066): | Class 1 and 3 |

PRESSURE LOSS (STRAIGHT DUCT)



The **COMBIDEC** fulfills all the requirements and are classified as specified within EN 13180:

Ventilation for buildings – Ductwork - Dimensions and mechanical requirements for flexible ducts.

LIABILITY:

The information contained in this brochure was current on the publication date. DEC INTERNATIONAL reserves the right to make changes in details at any time without prior notice. In order to avoid misunderstandings, any interested party is advised to contact DEC INTERNATIONAL checking for any changes in materials and/or information after this brochure was published.

PLEASE NOTICE:

The consultant is responsible for the actual installation and mounting of the product. The mentioned values with respect to temperatures are not appropriate to be used to determine the physical properties. These properties are also dependent on humidity and the temperature of the air inside and outside of the H.V.A.C. system.

TRADEMARKS:

COMBIDEC, the DEC logo and DEC International are trademarks, or registered trademarks of Dutch Environment Corporation BV in the Netherlands and/or other countries.

RESTRICTIONS:

The COMBIDEC ducts are not suitable for discharging combustion products from open fireplaces and oil-fired boilers. Neither are the ducts suitable for transporting air with a high concentration of acid and base.